

Pioneering for You

*HVAC OEM Competence Centre*

# Yonos PARA High Flow 25(30)/12 Datasheet



**ErP**  
READY

APPLIES TO  
EUROPEAN  
DIRECTIVE  
FOR ENERGY  
RELATED  
PRODUCTS

# Yonos PARA High Flow 25(30)/12



## Field of application

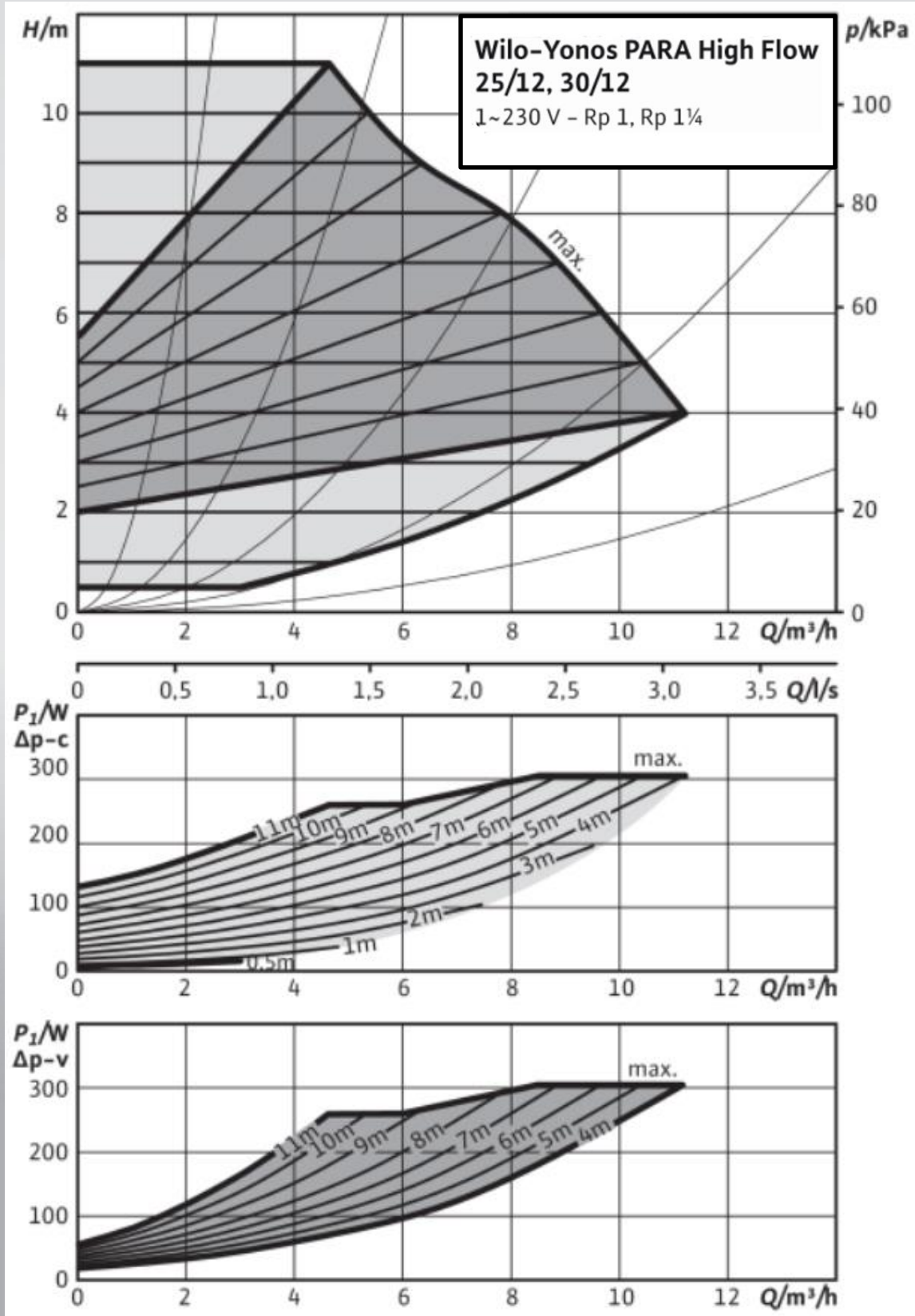
Hot-water heating systems of all kinds, air-conditioning systems, closed cooling circuits, industrial circulation systems.

Yonos PARA High Flow 25(30)/12

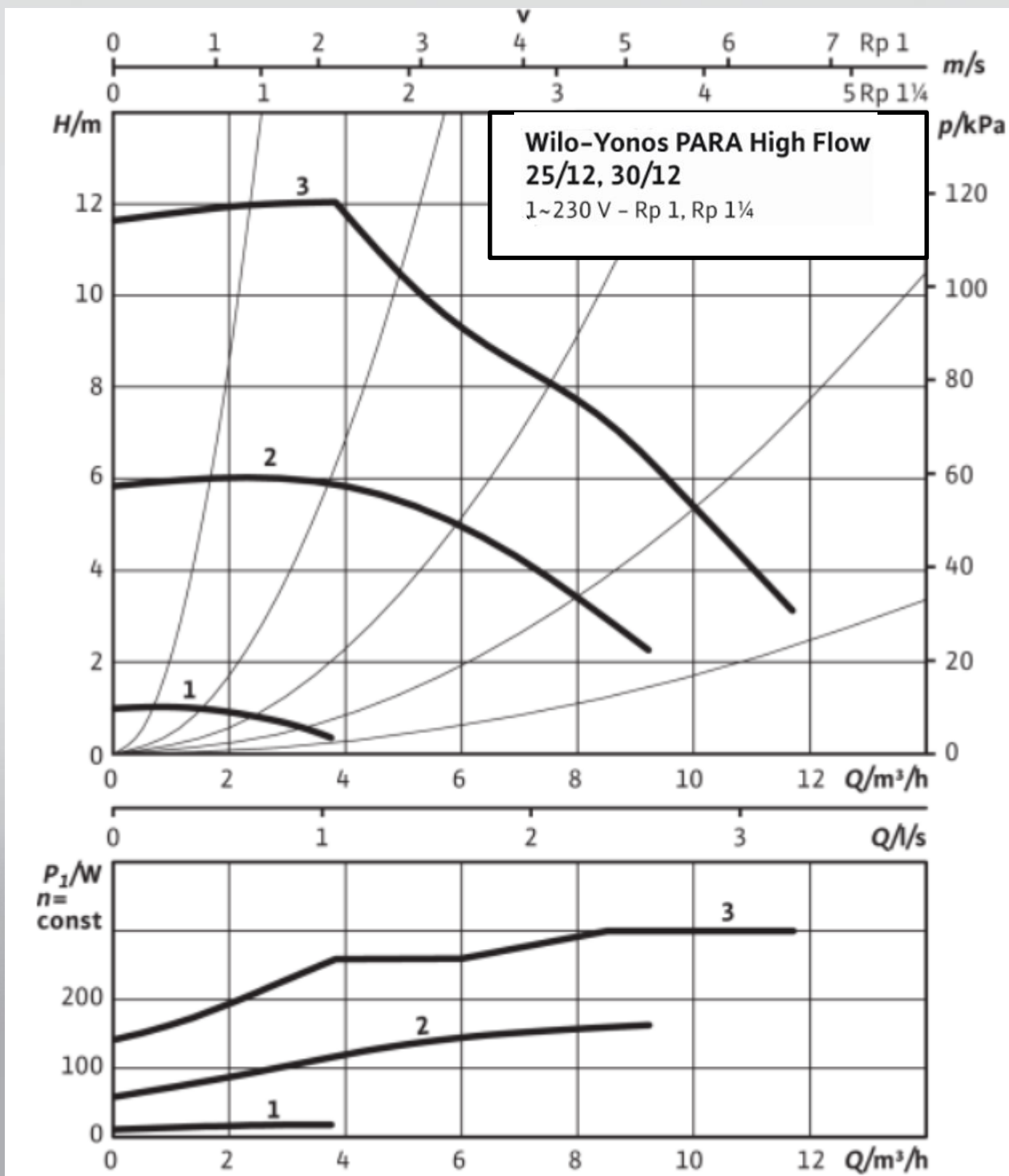
### Yonos PARA High Flow Electronically controlled High Efficiency pump

25(30)	Nominal flange connection DN 25 (DN30)
200	Rated power $P_2$ [W]
5	Weight approx. [kg]

# Hydraulic operational area $\Delta p-v$ / $\Delta p-c$ / constant speed

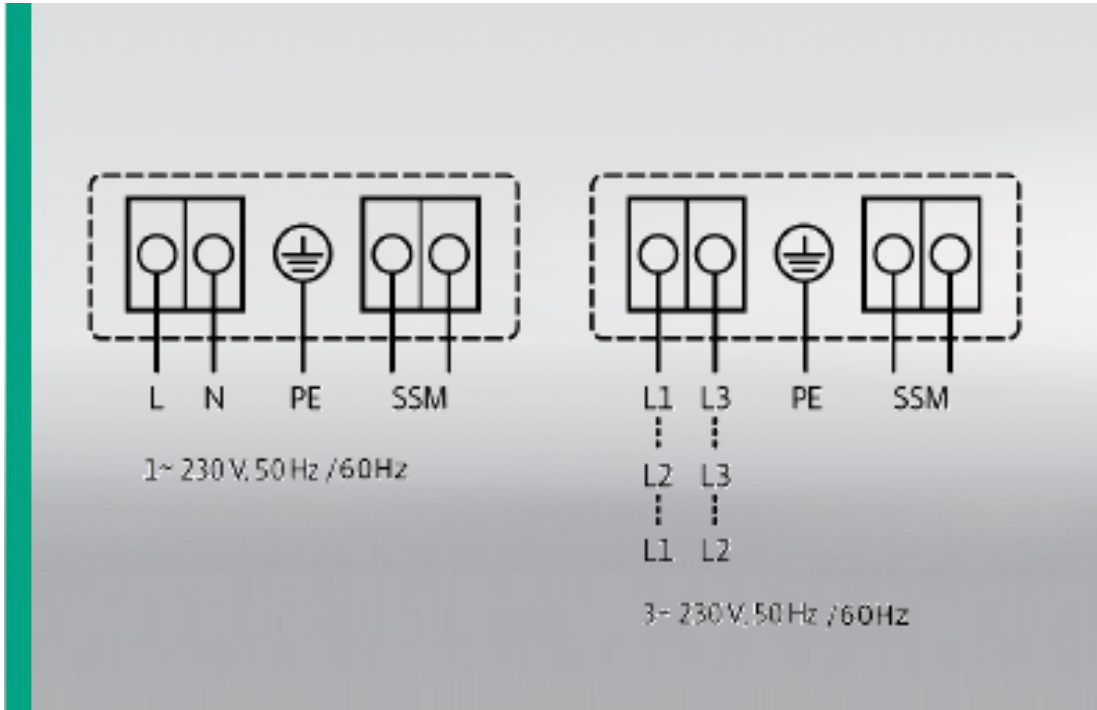


# Hydraulic operational area $\Delta p-v$ / $\Delta p-c$ / constant speed

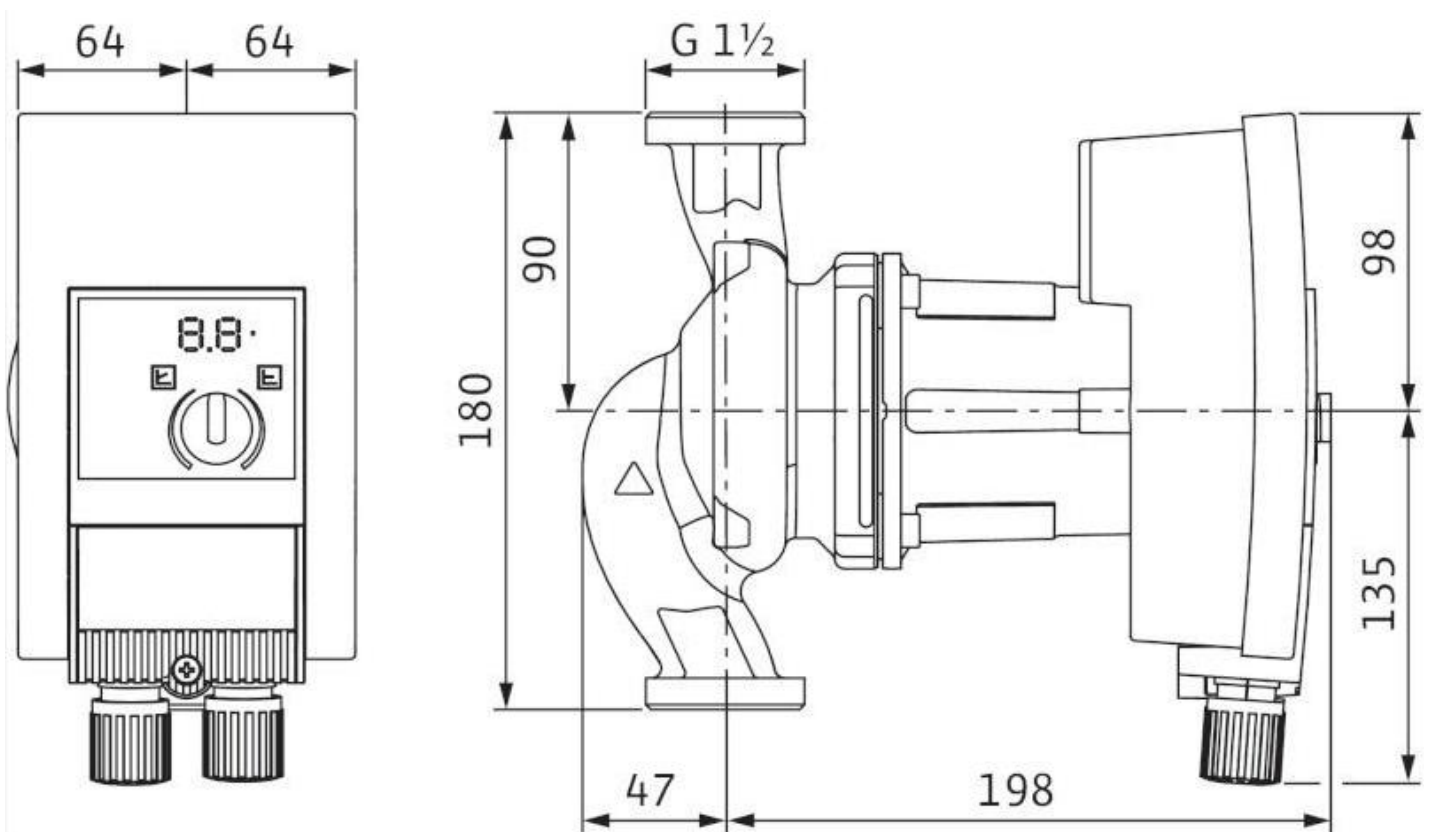


## Electrical connections

wilo



## Dimensions



Approved fluids (other fluids on request)	Heating water (in accordance with VDI 2035) Water-glycol mixtures (max. 1:1; above 20% admixture, the pumping data must be checked)
--	--

**Power**

Energy Efficiency Index (EEI)	≤ 0,20
Max. delivery head	11m
Max. volume flow	11 m <sup>3</sup> /h

**Permitted field of application**

Temperature range for applications in HVAC systems at max. ambient temperature. Limit values for continuous operation at maximum rated power	Fluid temperature -20°C to +110°C Ambient temperature -20°C to +40°C The pump is controlled by a power-limiting function that protects against overload.
Maximum static pressure	PN 10

**Electrical connection**

Mains connection	1~230V ± 10%, 50/60Hz, in accordance with DIN IEC 60038 3~230V ± 10%, 50/60Hz, in accordance with DIN IEC 60038
------------------	--

**Motor/electronics**

EC Machinery directive	2006/42/EG Conform
Electromagnetic compatibility	Directive 2004/108/EG
Emitted interference	EN 61000-6-3
Interference resistance	EN 61000-6-2
Protection class	IPx4D
Insulation class	F
RoHS / REACH	Not submitted

**Minimum suction head at suction port to avoid cavitation at water pumping temperature**

Minimum suction head at 50/95/110°C	3 / 10 / 16 m
-------------------------------------	---------------

**Motor data**

Yonos PARA High Flow	Speed	Power consumption 1-230 V	Current at 1-230 V	Motor protection
	n	P1	I	-
	rpm	W	A	-
25(30)/12	1000 - 4800	10 - 305	0.15 - 1,33	Integrated

**Materials**

Yonos PARA High Flow	Pump housing	Impeller	Pump shaft	Bearing
25(30)/12	Grey cast iron (EN-GJL-200)	PPS composite with GF 30%	Stainless steel (X30Cr13)	Carbon, metal impregnated



Pioneering for You

WILO SE  
HVAC OEM Competence Centre

50 Avenue Eugene Casella  
18700 Aubigny-sur-Nère  
France  
T +33 2 48 81 62 62  
[information@wilo-oem.com](mailto:information@wilo-oem.com)  
[www.wilo-oem.com](http://www.wilo-oem.com)

*Follow us on*

